



PARTS BREAKDOWN

CTB3S CENTURION PUMP

STOCK CODE: 85.120.159B



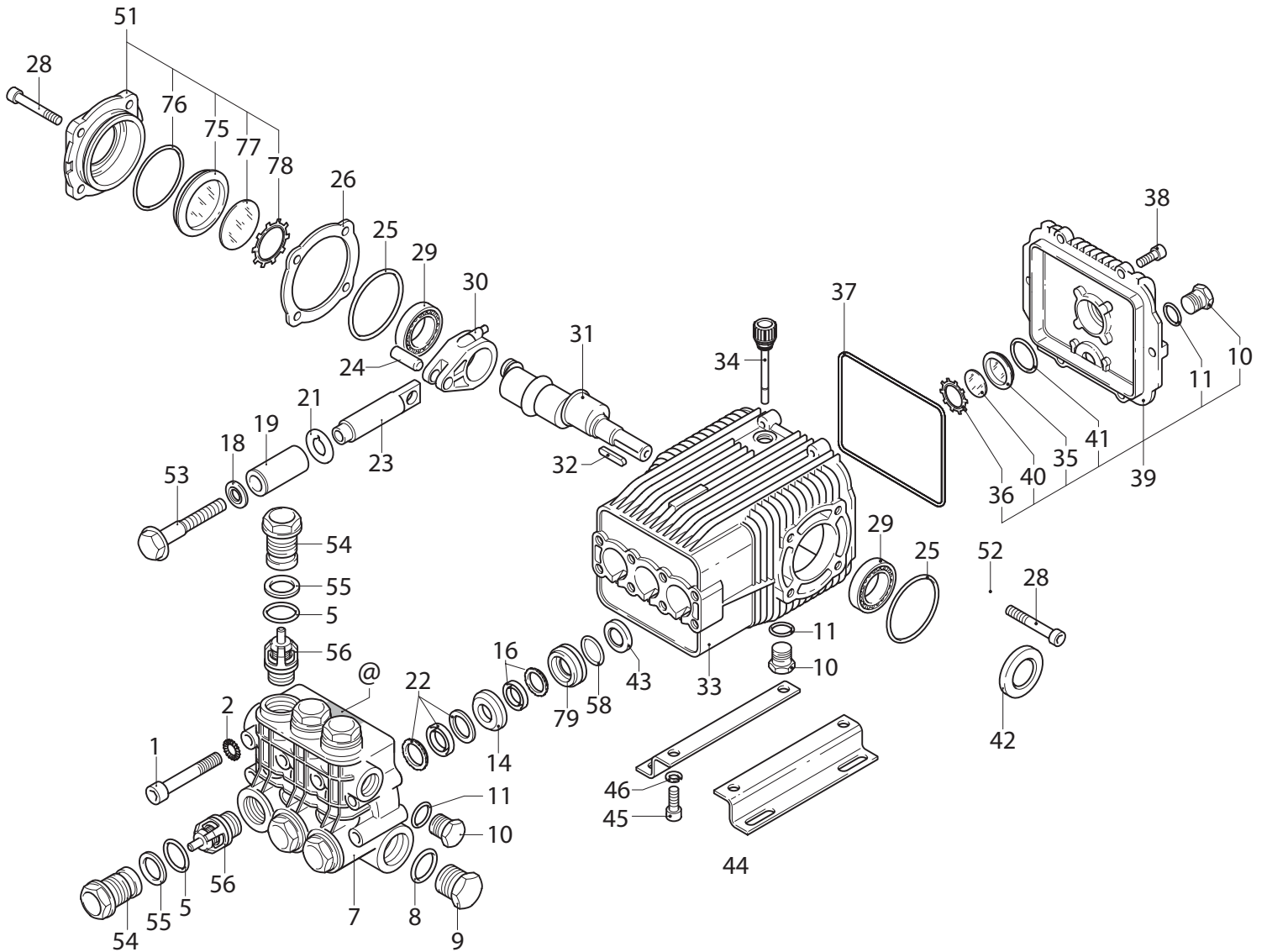
www.CENTURIONPUMP.com



PARTS BREAKDOWN

CTB3S CENTURION PUMP

STOCK CODE: 85.120.159B





PARTS BREAKDOWN

CTB3S CENTURION PUMP

STOCK CODE: 85.120.159B

Pos	Code	Description	Qty
1	1940260	Head Bolt M10x80 (442 in/lbs)	8
2	650530	Lock Washer	8
5	880830	O-Ring Ø 15.54x2.62	6
7	1942530	Blank Pump Head	1
8	180101	O-Ring Ø 17.5x2	1
9	820361	Plug 1/2" G Brass	1
10	1989600	Plug 3/8" G Brass, w/O-ring	3
11	740290	O-Ring Ø 14x1.78	3
14	1942470	Front Piston Guide	3
15	1941350	Support Ring	3
16	1942690	Low Pressure Seals w/Support Ring	3
18	1340600	Washer Copper	3
19	1941020	Piston Ø 18	3
21	1383190	Washer (Slinger)	3
22	1942700	High Pressure Seals w/Support Ring	3
23	1940960	Piston Rod	3
24	1940060	Connecting Rod Pin	3
25	1941380	O-Ring Ø 66.34x2.62	2
26	1941390	Shim 0.05 mm	1-3
	1941400	Shim 0.10 mm	1-3
	1941410	Shim 0.19 mm	1-3
	1941420	Shim 0.25 mm	1-3
28	850370	Bolt M 8x16 (217 in/lbs)	8
29	1140410	Bearing	2
30	1940051	Connecting Rod w/Bolt and Lock Washer (89 in/lbs)	3
31	1940970	Solid Shaft 24mm, NL, 7ID Stamp	1
32	650250	Key	1
33	1941330	Pump Housing	1
34	1140370	Oil Cap (Vented Dipstick)	1
35	1260250	Oil Sight Glass	1
36	1260430	Retainer Ring	1
37	1940410	O-Ring Ø 132x3	1
38	1200430	Bolt M6x16	6
39	1949010	Complete Rear Cover	1
40	1780690	Sight Glass Diffuser	1
41	1140450	O-Ring Ø 20.24x2.62	1
42	820680	Shaft Oil Seal	1
43	1940560	Oil Seal	3
44	1940370	Rail 1-1/4"	2
45	1940380	Bolt M10x18	4
46	200231	Washer	4
51	1949011	Side Cover w/Sight Glass	1
52	1941240	Open Bearing Support	1
53	1941640	Piston Bolt M6x60 (62 in/lbs)	3
54	1940940	Valve Cap (531 in/lbs)	6

Pos	Code	Description	Qty
55	1941070	Fiber Ring	6
56	1949051	Complete Valve	6
58	820490	O-Ring Ø 34.65x1.78	3
60	1949220	Complete Pump Head	1
75	1941270	Oil Sight Glass	1
76	100410	O-Ring Ø 34.6x2.62	1
77	1941260	Sight Glass Diffuser	1
78	1941290	Retainer Ring	1
79	1942480	Rear Piston Guide Ø 18	3

Oil Capacity 32 oz
Pumps are Prefilled with Oil from the Factory.
Change oil every 3-5 months or every 500 hours of operation.
Tightening torque (Tolerance + 0 ÷ -10%)

OPTIONAL PARTS/KITS					
Pos	Code	Description	Qty	Note	
	2748	Rail Kit 1-1/4"	2 Rails, 4 Bolts, 4 Washers	1	Pos 44, 45, 46
56a	394280	O-Ring	Ø 12.42x1.78	1	
56b	1941040	Fiber Ring		1	

Valve Kit 2871		Piston Guide Kit 42120		Piston Kit 2548		Water Seal Kit 2874	
Pos.	Qty	Pos.	Qty	Pos.	Qty	Pos.	Qty
56	6	14	1	18	3	16	3
		79	1	19	3	22	3
				21	3	58	3

Oil Seal Kit 2873	
Pos.	Qty
25	2
37	1
42	1
43	3



If you need technical assistance call:

1-866-850-6662

(8:00am - 4:30pm PST, Mon - Fri)